

CONCEPT-ENGINEERING

SURFACE MOUNT BRACKET

S100

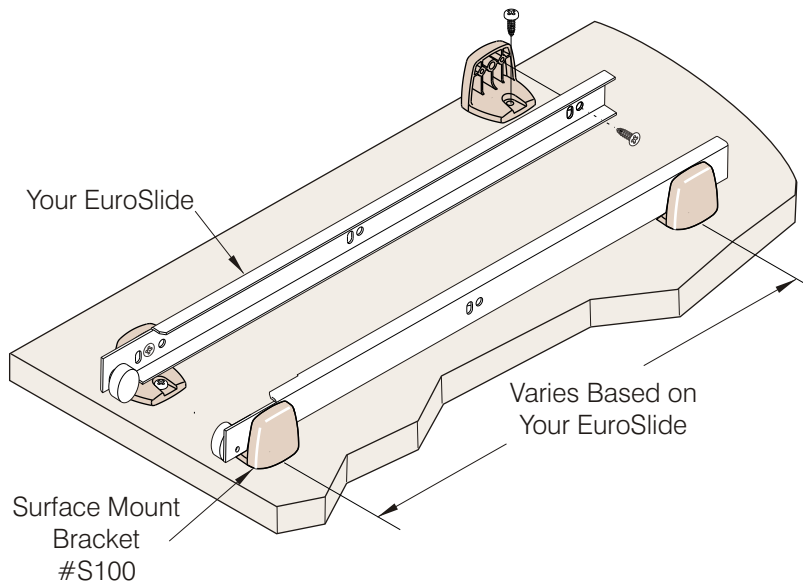
SURFACE MOUNT OPTIONS

USA & CANADA

- **Option 1** - Please see our S200 Brackets. They are easier to install but only work with Fullerer and Hafele slides.
- **Option 2** - Use these S100 Brackets with virtually any brand of slides.

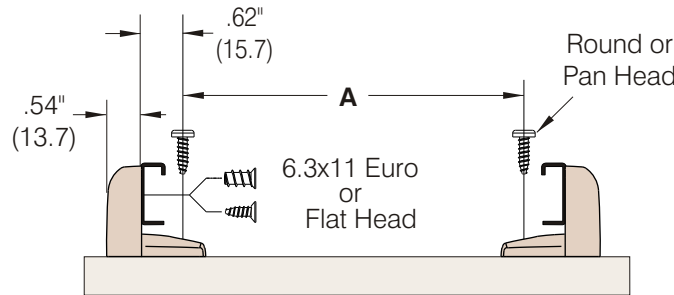
ASIA

- **Option 1** - Please see our S200 Brackets. They are very easy to install but require a specific slide geometry that you may need to search for.
- **Option 2** - Use these S100 Brackets with virtually any brand of slides.
- **Option 3** - If you prefer a welded bracket, we can provide engineering drawings so you can source these locally. (*Slides are not Patented by Spectrum*).

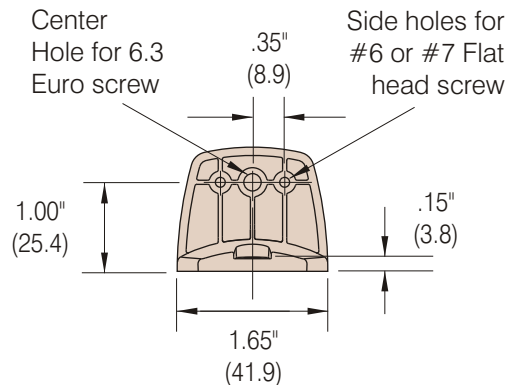


Tray	A		
	1 Row	2 Row	3 Row
#381 thru #386	5.90" (149.9)	12.62" (320.5)	17.67" (448.8)
#396	8.48" (215.4)	17.66" (448.6)	26.84" (681.7)

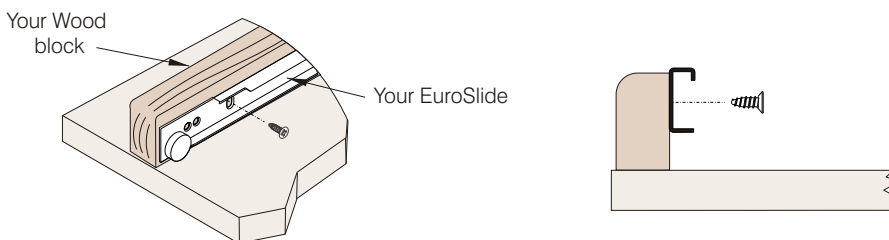
Varies Based on Your EuroSlide



Engineering

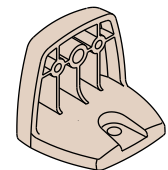


Alternative - Wood Blocks



ORDERING INFORMATION

Part #	Description	Case
#S100	Surface Mount Bracket	1000 pcs.



Screws are not included!

- **Material:**
Black High Impact Plastic
- **Tolerance:**
.XX±.025" (.6mm)
.XXX±.010" (.25mm)