

331, 334



331 Open Front
Shows the most wood



334 Closed Front
Easiest to install



334 as a Drawer "Drop-In"
Perfect for desk applications

Finally, you can say with confidence,
"Our furniture holds *Everything!*"



Open Front



Closed Front

Flipworks RAILS - Easy Integration

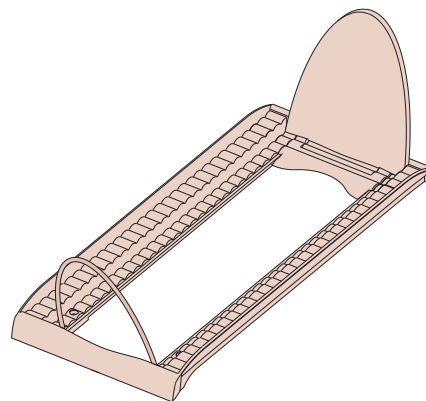
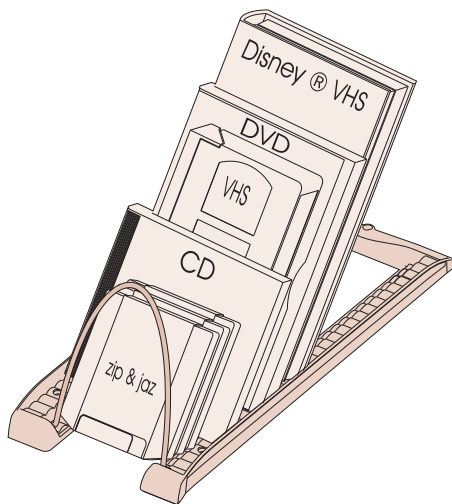
Upgrade your pull-out shelves to All-Media storage

These great looking rail systems deliver all the Flipworks advantages and let the wood show through.

Great for narrow openings starting at 6 1/8" wide.



- Metal front flipper and adjustable back stop fold flat for shipment.



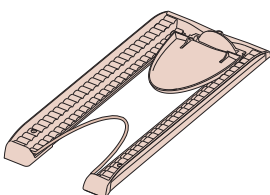
#331 Open Front Rail

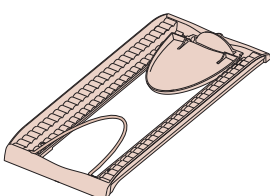
- Lets more of the wood shelf show through.
- Mounts with (3) screws.

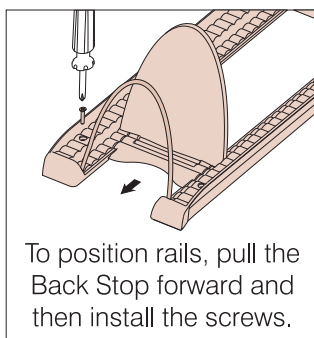
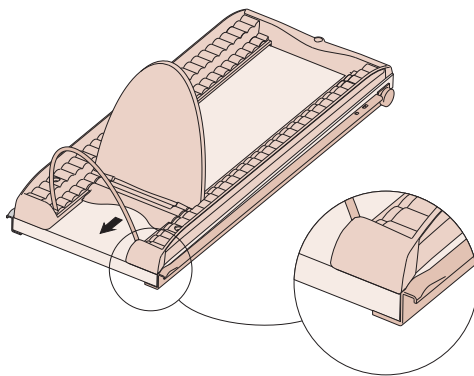
#334 Closed Front Rail

- Fits in narrower applications.
- Can be positioned to conceal Euro-Slide.
- Perfect as a drawer "Drop-in".
- Easiest to install.
- Mounts with (3) screws or (4) tape squares.

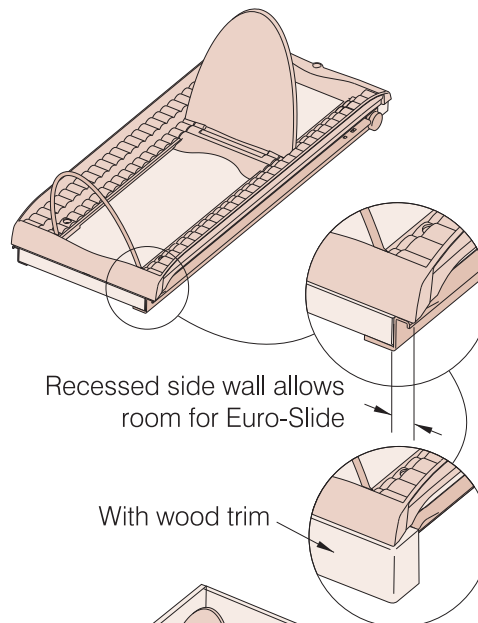
ORDERING INFORMATION

Part #	Description	Case
		
Flipworks RAILS		
#331	Open Front	40 pcs.
#110	Flat Head Screw, #6 x 1", Black	1000 pcs.

		
Flipworks RAILS		
#334	Closed Front	40 pcs.
#111	Flat Head Screw, #6 x 3/4", Black	1000 pcs.
#120	Two Sided Tape 1/32" x 5/8" sq.	1000 pcs.

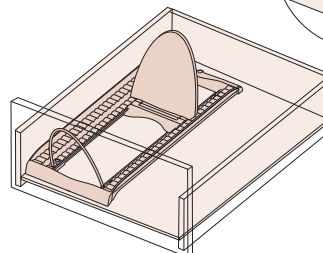


To position rails, pull the Back Stop forward and then install the screws.



Recessed side wall allows room for Euro-Slide

With wood trim



US PATENT #6,332,546
OTHER US and FOREIGN
PATENTS PENDING